

trotec

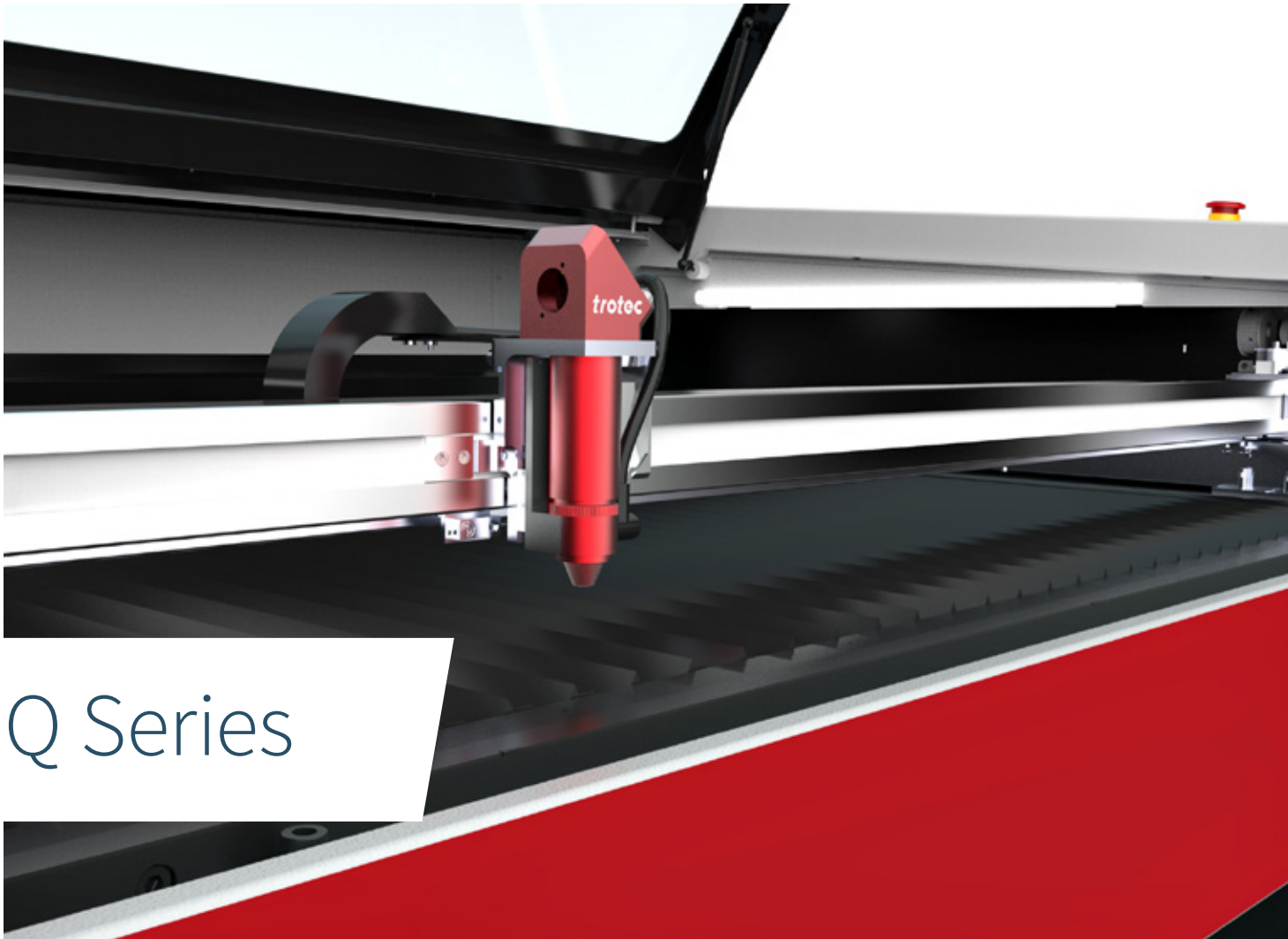
Q Series

All a Laser Cutter Needs



- Work area up to 1300 x 900 mm
- 60 – 120 watt CO₂ DC, CeramiCore® RF laser or both
- Finest engraving and up to 8x faster cutting for acrylic, wood, textiles, paper and many more

/ SETTING NEW STANDARDS



Q Series

The Q series is the laser cutter you really need: It combines all the Trotec virtues that you need for efficient laser cutting and sets standards. With a work area up to 1300 x 900 mm and laser power of up to 120 watts, it cuts and engraves a variety of materials: Process acrylic and wood (cut up to 15 mm), textiles, paper or cardboard for signs, handicraft items, models or decorative items. The Q series is a reliable laser machine for production.

Fastest laser cutting with OptiMotion™

Maximum cutting speed with the highest cutting quality – that's what OptiMotion™ motion control stands for – the innovative Trotec motion planning. Cutting speed and acceleration are automatically calculated and optimized in real time based on the geometry. The result: Saves time when creating laser files and determining parameters, high curve quality and maximum throughput. With the Q Series you are cutting up to eight times faster than with comparable laser machines on the market.



Maximum Productivity

Q Series is equipped with Trotec core technology that has been tried and tested for decades. These trademarks set standards for your productivity:

Red Trotec laser head

enables fast yet precise laser processing. The ultra-compact, lightweight design integrates the most important functions in the smallest of spaces. Austrian Engineering at its best.

InPack Technology™

Protects all sensitive components of the laser engraving machine such as the lens, mirror or motor from dust. You save time and money.

JobControl® laser software

Intuitive work with intelligent functions.

JobControl Vision camera system

for Print&Cut applications.

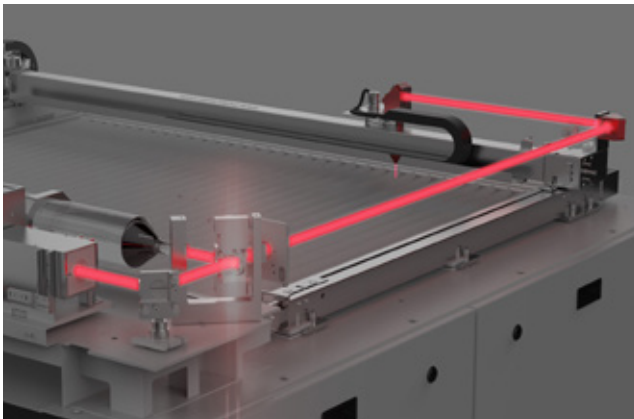
Automated focusing

at the touch of a button thanks to the patented SonarTechnology™.

CeramiCore® laser sources

Best engraving quality and durability.

Our robust mechanical and reliable electronic design has already been tried and tested in thousands of laser machines. We are committed to strictly controlled production processes and European manufacturing standards.



Revolutionary Dual-Source Technology: Reliability, durability and highest quality.

Q500 is equipped with a powerful DC CO₂ laser for fast cutting or a CeramiCore® RF CO₂ laser for high quality engraving or both. The innovative and patented CeramiCore® laser source concept stands for reliability, durability, and highest engraving quality. The resonator of the laser source, where the laser beam is generated, is 100% ceramic. Something unprecedented for laser cutters and laser engraving machines. One investment – two tools.

JobControl® laser software Efficient and intuitive work

The JobControl® laser software was developed to be easy to use and highly efficient. Whether you are a beginner or an experienced user, Trotec JobControl® facilitates your daily work with the laser and supports you with perfect results. Work in your usual graphics program and simply send your jobs to the laser using a printer driver. As well as being easy to use, JobControl® offers a variety of intelligent options. For example, the JobTime Calculator, bi-directional communication, markers, vector sorting, job preview and a number of others. The JobControl® Vision camera system makes it easy to cut printed materials with a perfect fit.



Application Examples



Shiny, flame polished cutting edges of Acrylic up to 15 mm



Laser engraved drinking glass with rotary device



Personalized anodized aluminium safety lock



Clean paper finishing and finest contours



Name tag made of TroLase



Clean and perfectly sealed laser cut edges of textiles



Precisely cut and engraved construction kit wooden plane



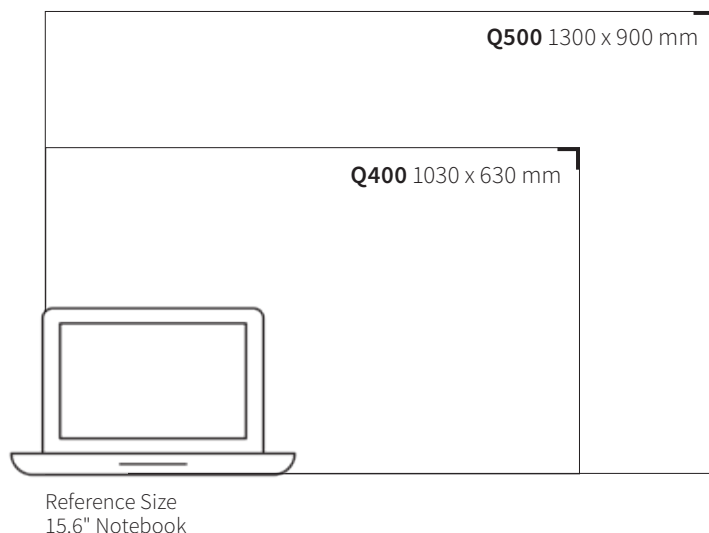
Individual engravings on slate

What Do You Want to Engrave or Cut?

Material	Cut	Engrave
Wood	●	●
Glass		●
Paper white	●	●
Paper colored	●	●
Cardboard	●	●
Leather	●	●
Textiles	●	●
Mirror		●
Stone		●
Ceramics		●
Cork	●	●
Food	●	●
Metals		
Aluminum		●
Aluminum anodized		●
Precious metals		●
Titanium		●
Stainless steel		●
Coated metal (varnished)		●
Brass		●
Copper		●
Plastics		
Acrylonitrile butadiene styrene copolymer (ABS)	●	●
Acrylic (PMMA)	●	●
Rubber (laser rubber)	●	●
Polyamide (PA)	●	●
Polybutylene terephthalate (PBT)	●	●
Polycarbonate (PC)	●	●
Polyethylene (PE)	●	●
Polyester (PES)	●	●
Polyethylene terephthalate (PET)	●	●
Polyimide (PI)	●	●
Polyoxymethylene (POM) e.g. Delrin®	●	●
Polypropylene (PP)	●	●
Polyphenylene sulfide (PPS)	●	●
Polystyrene (PS)	●	●
Polyurethane (PUR) foam	●	●
Foam (PVC free)	●	●

* Consumables required (e.g. laser marking ink)

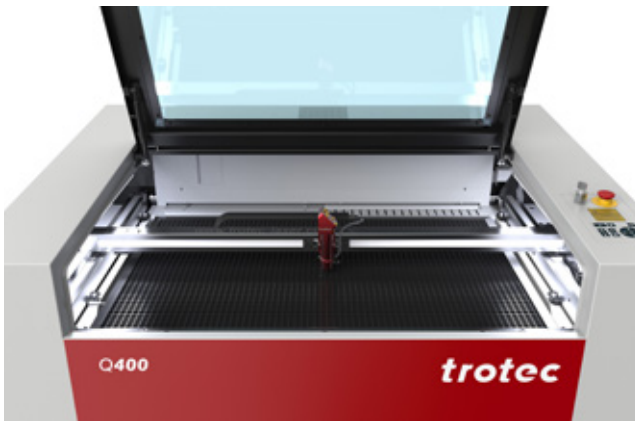
Which Model is Right for You?



All you need

The Q Series is the efficient CO₂ laser cutter for all standard sheet sizes up to 1300 x 900 mm. We are here to help you choose the best laser machine for your business.

	Q500 DC	Q500 RF	Q500 DU	Q400 DC	Q400 RF
Working area	1300 mm x 900 mm	1300 mm x 900 mm	1300 mm x 900 mm	1030 mm x 630 mm	1030 mm x 630 mm
Laser power	Sealed-off CO ₂ DC 60 / 100 / 120 W	Sealed-off CO ₂ RF CeramiCore® 60 W	Sealed-off CO ₂ DC 60 / 100 / 120 W and sealed-off CO ₂ RF CeramiCore® 60 W	Sealed-off CO ₂ DC 60 / 100 W	Sealed-off CO ₂ RF CeramiCore® 60 W
Cooling system	Water-cooled			Water-cooled	Air-cooled
Max. processing speed	2 m/s				
Laser safety	CDRH laser safety, laser class 2, CE compliant, double interlock safety system, kill and key switch				
Machine size (W x D x H)	1870 mm x 1655 mm x 1110 mm			1550 mm x 1080 mm x 1080 mm	
Weight	Approx. 570 kg			Approx. 300 kg	
Power consumption laser machine	100V – 250V, 1100 – 1500 W			100V – 250V, 1200 W	
Power consumption chiller	900 W	900 W	1800 W	900 W	
Options	JC Vision, Aluminum Slat Cutting Table, 4.0" lens			JC Vision, Sonar Technology™, Rotary, Aluminum Slat Cutting Table, 4.0" lens	



Aluminum Cutting Grid Table*

This cutting table is the perfect solution for all general cutting tasks. It is suitable for a variety of cutting tasks with parts smaller than 100 mm, as these remain in a flat position after the cut.

* basis configuration

Aluminum Slat Cutting Table

This table is perfectly suited to laser cutting thicker materials (8 mm thickness) and for parts wider than 100 mm. Lamellas can be individually placed, allowing the table can be adjusted to each individual application.



Global coverage and local service – always close to you

Wherever in the world you are – we are near you. With more than 60 Trotec operated locations in 17 countries, we have the largest service network in the industry. Furthermore, our distributor network counts over 110 partner companies worldwide. All of them meet the Trotec service and knowledge requirements.

Your Trotec Advantages

- Training
- Advice
- Materials
- Solutions
- Quality
- Service

TROTECLASER.COM

Trotec Laser GmbH
T +43 7242 239 7777
trotec@troteclaser.com



CMYUK Distribution Centre:
Unit 2 Impact Park, Willenhall Lane,
Bloxwich, Walsall,
West Midlands, WS3 2XN

sales@cm yuk.com

CMYUK Group Head Office:
Building 329, Suite G4
Doncastle Road, Bracknell
Berkshire, RG12 8PE

+44 (0) 118 989 2929

CMYUK Demonstration & Training Centre
Unit 3B Vanguard Way,
Battlefield Enterprise Park,
Shrewsbury, SY1 3TG

www.cmyuk.com