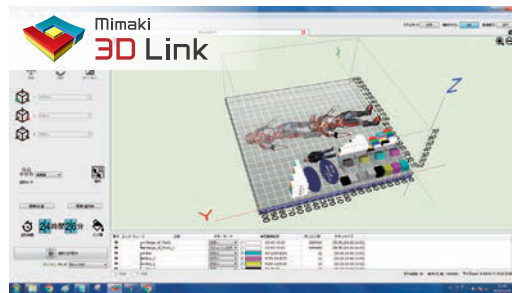


<Provided as standard>

Layout software “Mimaki 3D Link”



You can lay out your 3D data for printing and send the job data to the 3D printer.

Print control software “Mimaki Printer Driver”



You can read the job data, configure the object formation settings, perform operations, and check the print history.

<Recommended PC specifications>

Mimaki 3D Link

OS	Windows 10 Pro (64bit version)
CPU	Intel Core i7
Chip set	Intel Z87 Express
Memory	32 GB or more
Hard disk	At least 100 GB free space (NTFS format)
Interface	Ethernet port: 1000BASE-T recommended
Video board	NVIDIA Quadro M4000 (OpenGL4.5 supported, GRAM 8GB)*1

*1: If you do not use NVIDIA, you will not be able to run the “Estimate Calculator”.

Mimaki Printer Driver

OS	Edition	Windows 10 Pro or Windows 10 Enterprise
	Version	1809 or later
	Performance index	Equivalent to or better than Intel Core i7-8700 3.2 GHz
CPU	System type	64-bit operating system
	RAM (memory)	32 GB or more
Graphics board	Performance index	Equivalent to or better than NVIDIA Quadro RTX4000
	OpenGL	OpenGL 4.x supported
USB		At least three USB2.0 ports
Ethernet LAN		At least two 1000BASE-T standard LAN ports
Hard disk	Capacity	1 TB or more
	C drive free space	500 GB or more

Specifications

Item	3DUJ-2207	
Formation method	UV-curable inkjet method	
Number of colors that can be expressed	Over 10 million colors in full color	
Print head	On-demand piezo head (2 heads in line)	
Print resolution	1200 dpi	
Ink	Type/Color	Model material ink: MH-100 (C, M, Y, K, White, Clear) Support material ink: SW-110
	Form of supply	1L bottle
Maximum forming area and load capacity (Weight of the object)	203 × 203 × 76 mm (including support material), 3 kg max *In the case of default settings The maximum forming size must be within the allowed forming area and under the maximum weight.	
Layer pitch	28 μm (standard mode)	
Input data	STL, OBJ, VRML, PLY, 3MF	
Interface	Data transfer function	Ethernet1000BASE-T
	E-mail function	Ethernet10BASE-T/100BASE-TX/1000BASE-T
Noise level	In standby mode: 55 dB or less (FAST-A, 1 m in the front, back, left and right) Continuous operating sound: 65 dB or less/Discontinuous operating sound: 70 dB or less	
Power specifications	Single phase (100-120 VAC/220-240 VAC, ±10%, 50/60 Hz ±1 Hz) × 1 pc	
Power consumption	Main unit 350 W/500 W when using deodorizer (optional)	
Software (provided as standard)	Layout software “Mimaki 3D Link” Driver software “Mimaki Printer Driver”	
Installation environment	Usable temperature	20 to 30°C
	Relative humidity	35 to 60%
	Recommended temperature range	20 to 25°C
	Dust	Dust-free location (dust level 0.15 mg/m ³ or less)*1
External dimensions	W 1,355 mm × D 1,290 mm × H 856 mm	
Weight (main unit)	140 kg	

*1: 0.15 mg/m³ or less: The value for the amount of dust equivalent to an office as specified in the Japanese Building Standards Law

Supplies

Product name	Item code	Remarks	
MH-100	Cyan	MH100-C-BA	1L bottle
	Magenta	MH100-M-BA	
	Yellow	MH100-Y-BA	
	Black	MH100-K-BA	
	White	MH100-W-BA	
SW-110	Clear	MH100-CL-BA	1L bottle
	Support material	SW110-Z-BA	

Options

Product name	Item code	Remarks
Special installation stand	OPT-J0524	
Deodorizer	OPT-J0515	

●Some of samples in this catalog are artificial renderings. ●Specifications, design and dimensions stated in this catalog may be subject to change without notice for technical improvements etc. ●The corporate names and merchandise names written in this catalog are the trademark or registered trademark of the respective corporations. ●Inkjet printers print extremely fine dots, so colors may vary slightly after replacement of the printing heads. Also note that if using multiple printer units, colors could vary slightly from one unit to other due to slight individual differences. ●The specifications described in this catalog are as of September 2021.

⚠ Precautions for 3D objects

- Please make sure to execute an advanced evaluation regarding the physical property (strength, weather resistance, safety etc.) for estimated applications.
- Depending on application, a post-processing might be necessary such as top coating or wiping by ethanol after removal of support material.

⚠ Safety notice

Ultraviolet (UV) irradiation equipment is mounted on this product. You are dealing with UV light sources that may harm your health. Please follow below guidelines strictly.
 •Do not look directly into the UV light source nor place your hand, or expose your skin directly to the UV light source.
 •Please make sure the room is well ventilated due to smells partially accompanying with 3D modeling.
 •Please use the attached goggles and gloves when taking out an object or taking off support materials after modeling.
 •In addition, please be sure to read the instructions and guidelines of the manual carefully to follow.

UV curable inkjet type compact full-color 3D printer

3DUJ-2207



Big Color, Compact Size

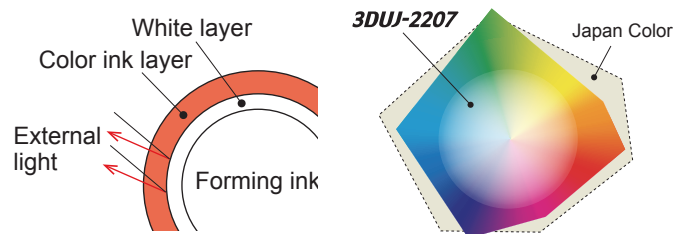
10 million full-color 3D printing now brought into your life

Entry model of full-color 3D printer with high definition and compact design 3DUJ-2207



Over 10 million full-color object manufacturing!

The 3DUJ-2207 realizes vivid full-color object manufacturing by depositing layers of color ink to create an object. The number of colors that can be expressed is about twice that of the general plaster method (5 to 6 million colors), and beautiful colors can be produced due to the difference in ink layers. The inks provided (C, M, Y, K, white, and clear) cover 89% of the color gamut of Japan Color. Full-color object manufacturing with over 10 million colors provides rich color expression even for complex shapes that are difficult to color by hand.



Exquisite formative expression achieved with integrated Mimaki technologies

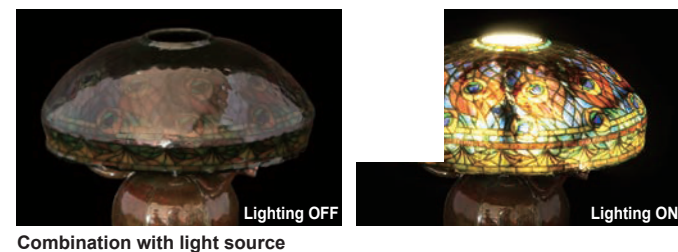
Sophisticated object manufacturing with superfine details is made possible by highly accurate ink placement based on Mimaki's unique waveform control and high-precision ink ejection technology, which have been cultivated through the development of industrial inkjet printers. The variable dot function allows you to always select the optimal ink dot size for smooth gradation and high-precision color reproduction.



Design more freely with full-color and clear inks.

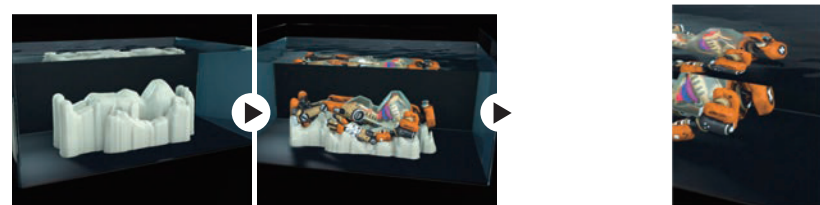
The 3DUJ-2207 comes with a clear ink. In addition to transparent expression using the clear ink itself, you can also use the clear ink and color ink to create a translucently colored object. In addition, the ability to combine color and clear inks to create "color in clear" or "color + clear" expressions makes it possible to create high value-added objects with free designs.

Object manufacturing utilizing clear and color inks



Water-soluble support material for a beautiful finish with no hassle

The printer uses water-soluble support material ink for the support materials required during the object formation process. Since the support material can be removed by soaking in water and does not need to be scraped off, it is easy to remove the support material without damaging the object, even for delicate designs.



High-definition, beautiful 3D printing easily at your office!

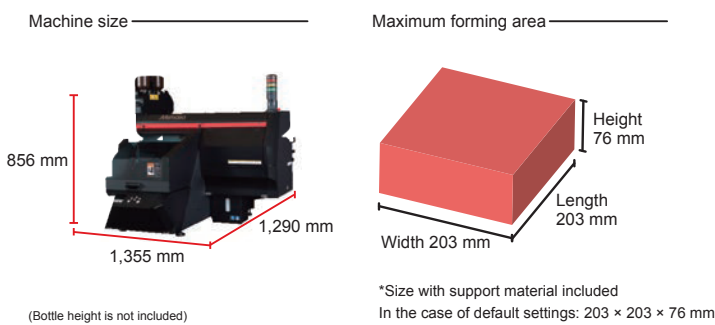


It is compact enough to be installed in an office environment as long as it has a footprint of 2.0 x 2.3 meters, with a noise reduction design and a built-in deodorizer.

(The installation stand and deodorizer are optional.)

"Manufacturing with color" is now accessible in the field of product design!
Diverse work fields with full-color object manufacturing using over 10 million colors

- Research & Medical
- Architecture & Design
- Prototype & Sample



Workflow

