



## Sophisticated RIP software maximizes the performance of Tx300P-1800

Professional software RIP for multi colour separation  
**Software RIP for Multi Color Separation**  
**TxLink 3 Lite**

- ◆ Spot colour can be assigned to each colour on separation plates.
- ◆ ICC profile creation from CMYK + spot colours.
- ◆ Colour replacement on raster data.
- ◆ A variety of panelling functions, including step-and-repeat layout, which are useful for textile designing.

### Specifications

Item	Tx300P-1800
Printhead	On-demand piezo head (4 in-line printheads)
Print resolution	360dpi, 540dpi, 720dpi, 1,080dpi, 1,440dpi
Maximum print width	1,920mm
Maximum media width	1,920mm
Ink	Type/Colour
	Sublimation dye ink: Sb420 (B, M, Y, K, Lbl, Lm)
	Disperse dye ink: Dd400 (C, M, Y, K, R, Grey, Violet, Pink)
	Textile pigment ink: TP400 (C, M, Y, K)
	Reactive dye ink: RC400 (C, M, Y, K, Bl, R, Or, Lk)
Acid dye ink: AC400 (C, M, Y, K, Bl, R, Or, Lk)*	
Package size	2L Ink pack
Media thickness	1.0mm or less
Rolled media weight	40kg (88 lb) or less
Certification	VCCI class A, FCC class A, ETL UL 60950-1 CE Marking (EMC, Low voltage, Machinery directive, and RoHS), CB, REACH, Energy Star, RCM
Interface	USB 2.0 Hi-speed / Ethernet 1000BASE-T
Power supply	Single-phase (AC100 - 120V / AC200 - 240V)
Power consumption	AC100V : 1.44kW / AC200V : 1.92kW
Operational environment	Temperature: 20 - 30 °C (68 - 86 °F) Humidity: 35 - 65% Rh (Non condensing)
Dimensions (WxDxH)	3,200 x 965 x 1,857mm
Weight	255kg

\* AC400 will be available in the future

### Options and Supplies

Item	Product No.	Remarks
Sublimation dye ink: Sb420	Blue	I-SB420-BLD-2L-1
	Magenta	I-SB420-MD-2L-1
	Yellow	I-SB420-YD-2L-1
	Black	I-SB420-KD-2L-1
	Light blue	I-SB420-LBD-2L-1
	Light magenta	I-SB420-LMD-2L-1
Disperse dye ink: Dd400	Cyan	I-DD400-C-2L-1
	Magenta	I-DD400-M-2L-1
	Yellow	I-DD400-Y-2L-1
	Black	I-DD400-K-2L-1
	Red	I-DD400-R-2L-1
	Grey	I-DD400-G-2L-1
	Violet	I-DD400-V-2L-1
	Pink	I-DD400-P-2L-1
	Cyan	I-TP400-C-2L-1
Textile pigment ink: TP400	Magenta	I-TP400-M-2L-1
	Yellow	I-TP400-Y-2L-1
	Black	I-TP400-K-2L-1
	Cyan	I-RC400-C-2L-1
	Magenta	I-RC400-M-2L-1
	Yellow	I-RC400-Y-2L-1
Reactive dye ink: RC400	Black	I-RC400-K-2L-1
	Blue	I-RC400-BL-2L-1
	Red	I-RC400-R-2L-1
	Orange	I-RC400-OR-2L-1
	Light black	I-RC400-LK-2L-1
	Cyan	I-RC400-C-2L-1
Acid dye ink: AC400*	Magenta	TBA
	Yellow	
	Black	
	Blue	
	Red	
	Orange	
	Light black	
Washing Liquid cartridge	SPC-0259	Washing liquid for head cleaning. 220ml cartridge
Washing Liquid cartridge	SPC-0188S	Washing liquid for ink replacement. 220ml cartridge

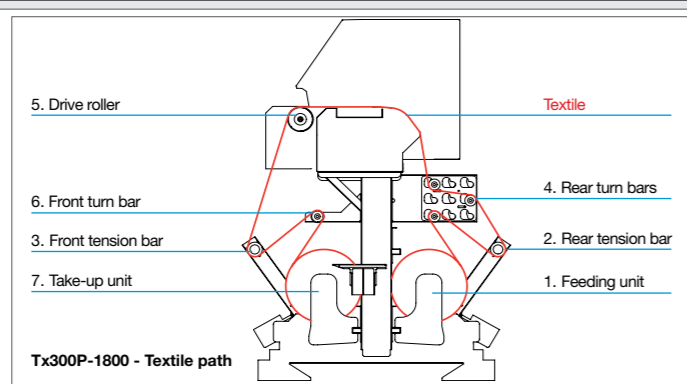


**Tx300P-1800**

### ADVANCED TEXTILE FEEDING MECHANISM FOR OPTIMUM FABRIC TENSION

Stable feeding and transportation is crucial for high quality, accurate direct-to-textile printing. Advanced technology on the Tx300P-1800 achieves this while maintaining optimum tension as a result of Mimaki's unique and reliable techniques, based on years of textile inkjet printer research and development.

- 1. Feeding unit**
- 2. Rear tension bar**
- 3. Front tension bar**
  - Sensors monitor outer diameters of front and rear textile rollers and maintain the appropriate tension during printing.
- 4. Rear turn bars**
  - Bars equalize tension to prevent wrinkles on textile.
- 5. Drive roller**
  - The shaft rotates forward to apply uniform tension.
- 6. Front turn bar**
  - Maintains the appropriate tension for stable textile take-up.
- 7. Take-up unit**



• Some of the samples in this folder are artificial renderings • Specifications, design and dimensions stated in this folder may be subject to change without notice (for technical improvements, etc.)  
 • The corporate and merchandise names written on this folder are the trademark of the respective corporations • Inkjet printers print using extreme fine dots, so colours may vary after replacement of the printing heads, also note that if using multiple printer units, colours could vary slightly from one unit to other unit due to slight individual differences • Depending on image files used for printing, the print quality would be affected when printing in a low-resolution mode with the lowest number of passes • Composer's errors reserved

**Mimaki**

www.mimakieurope.com info@mimakieurope.com @MimakiEurope

Mimaki Europe B.V. Stammerdijk 7E, 1112 AA Diemen, The Netherlands Tel: +31 (0)20 4627640

**Direct-to-Textile inkjet printer...**



**Mimaki**

The world imagines... Mimaki delivers



**Mimaki**

## A high quality, versatile, direct-to-textile inkjet printer...

Mimaki's undisputed expertise in the digital textile sector is reflected in the innovative new Tx300P-1800 with its capability to print direct onto almost any type of natural or man-made fabric. Effortlessly combining quality and high speed, Tx300P-1800 is ideally suited to applications such as fashion, furnishing, soft signage and exhibitions.

### Tx300P-1800 delivers ...

- Maximum print speed of 68m<sup>2</sup>/h
- Sublimation, disperse, reactive & acid dye and textile pigment inks
- Advanced Textile Feeding Mechanism for optimum fabric tension
- Mimaki Bulk Ink System (MBIS) and large volume ink packs
- Latest Mimaki MAPS Advanced Pass System
- Nozzle Check Unit (NCU) ensures reliable continuous print operation
- High head gap setting for thick and woven textiles



#### ENGINEERING EXCELLENCE AND CREATIVE INNOVATION

Founded in Japan in 1975, Mimaki Engineering has steadily grown by reputation and influence into a global company with large operational bases in Asia and the Pacific, United States and Europe.

Renowned for award-winning performance, peerless build quality and innovative technology, Mimaki has established itself as a leading manufacturer of wide-format inkjet printers and cutting machines for the sign and graphics, textile and apparel and industrial markets. In addition, Mimaki also provides a comprehensive range of supporting products; hardware, software and associated consumable items, such as inks and cutting blades.

From outdoor signage and billboards to interior decoration and furnishing, from packaging and labels to promotional gifts and apparel, Mimaki is committed to developing technology that sets new industry standards, producing machines and products that turn the imagination of our customers into breath-taking reality.

... Mimaki delivers

- 1,920mm MAX PRINT WIDTH
- 68m<sup>2</sup>/h MAX. SPEED
- 1,080DPI MAX RESOLUTION
- UNATTENDED CONTINUOUS OPERATION
- HIGH PERFORMANCE TEXTILE RIP SOFTWARE

**Create ...** Fashion and Apparel, Scarves & Silk Ties, Bags, Home furnishing & upholstery fabrics, Flags & Soft signage, Textile retail PoS, Exhibition Graphics, and much more...

### KEY TECHNICAL FEATURES ...

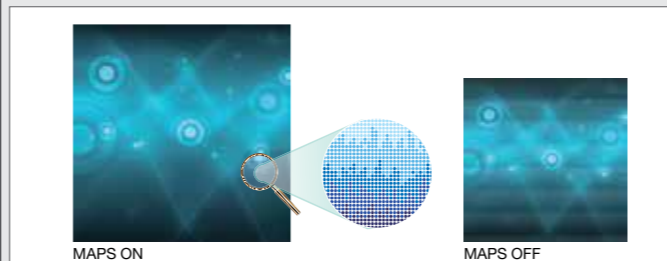
#### 5 Ink types for a range of applications and textile types\*

Ink type	Product name	Colour	Features	Application	Applicable fabric
Sublimation dye	Sb420	Bl, M, Y, K, Lbl, Lm	Sublimation ink for direct printing. No transfer paper is required.	Soft signage	Polyester
Disperse dye	Dd400	C, M, Y, K, R, Grey, Violet, Pink	Inks are fixed by heating and have high durability.	Industrial textile, Luxury apparel, Home furnishing	Polyester, nylon, acetate, and other fibres
Textile pigment	TP400	C, M, Y, K	Simple post-printing process. No steaming, washing and drying processes are required. Inks are fixed only by heating.	Home furnishing	Cotton, hemp, and other fibres
Reactive dye	Rc400	C, M, Y, K, Bl, R, Or, Lk	Inks produce a wide and vibrant gamut of colours, and have water resistance, light-fastness and rub-fastness, as dyestuff molecules bond with the fibres.	Apparel, Home furnishing	Cotton, hemp, silk, rayon, and other fibres
Acid dye	Ac400	C, M, Y, K, Bl, R, Or, Lk	Inks produce vivid and brilliant colours on selected natural or synthetic fibres.	Apparel, Home furnishing	Wool, leather, silk, nylon, and other fabrics

\*Select an ink type depending on your intended use. The ink type cannot be changed after installation.

#### Mimaki Advanced Pass System (MAPS)

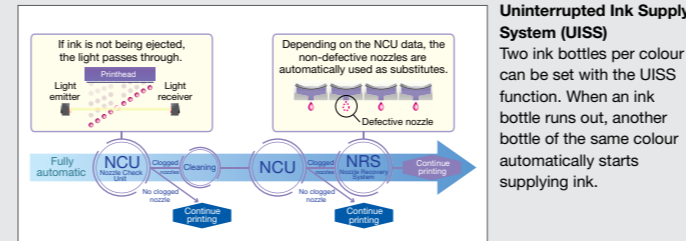
MAPS is Mimaki's unique anti-banding feature. To prevent banding, swath boundaries are overprinted and boundaries prone to banding are printed with fewer ink droplets.



#### Continuous Uninterrupted Printing Features

##### Nozzle Recovery Function

In the event of a nozzle malfunction not being repairable by the use of the maintenance function, printing can continue by the use of another nozzle, without any loss of productivity or a reduction in image quality.



##### Uninterrupted Ink Supply System (UISS)

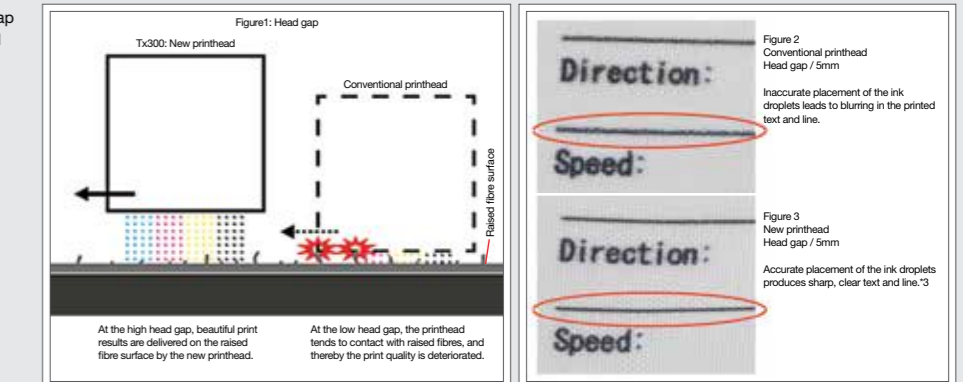
Two ink bottles per colour can be set with the UISS function. When an ink bottle runs out, another bottle of the same colour automatically starts supplying ink.

#### HIGH HEAD GAP SETTING FOR THICKER TEXTILES

While printing on raised fibre surface textiles, a high head gap setting is required to prevent contact between the printhead and any raised fibres. (FIG.1)

On more conventional models, restricted head gap reduces the accuracy of ink droplet placement. (FIG.2)

The new Tx300P-1800 employs a new advanced printhead with a high head gap to ensure accurate ink droplet placement, thereby enabling high-quality printing on a wide variety of fabric types. (FIG.3)



\*3 Optimum head gap varies depending on print conditions.  
Ink / SB420 Ink  
Recommended head gap / 3 mm

#### HIGH PERFORMANCE TXLINK3 LITE RIP SOFTWARE

##### 1) Colour replacement

Desired colours can be represented by specifying the ink volume of each ink colour.

**1. Create desired colours**  
When the printed colour differs from that expected, the colour replacement function enables a user to specify the desired printing colour as the target colour. This function is useful for reproducing corporate colours.



Target colour is reproduced

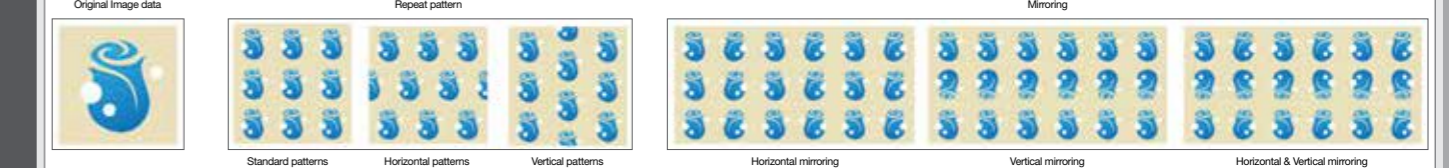
**2. Easy to create different colour data**  
With TxLink3 Lite, colours are easily replaced on vector and raster data.



Easy colour replacement on raster data

##### 2) Step and repeat

Large seamless patterns can be produced from a single image, including repeat and mirror patterns.



##### 3) Multicolour ICC profile creation

ICC profiles can be created simply to match a target colour by following the wizard.



##### COLOUR PROFILE CREATION PROCEDURES

1. Specify the ink colour for each ink slot.
2. Set the total ink limit  
Set the ink limit chart, then set the maximum ink volume.
3. Measure the ink density error  
(Adjustment of ink density gradation) Each ink density is measured. Density is automatically calculated and adjusted.
4. ICC profile creation  
Measurement of the configuration chart printed from Colour GPS. The profile is automatically created.